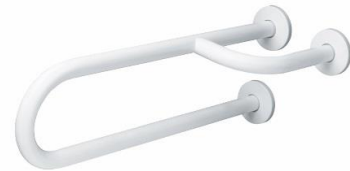


MEDIEPOXY

Wall to wall grab bar with three support points



BFD600
White finish



BFI600
White finish

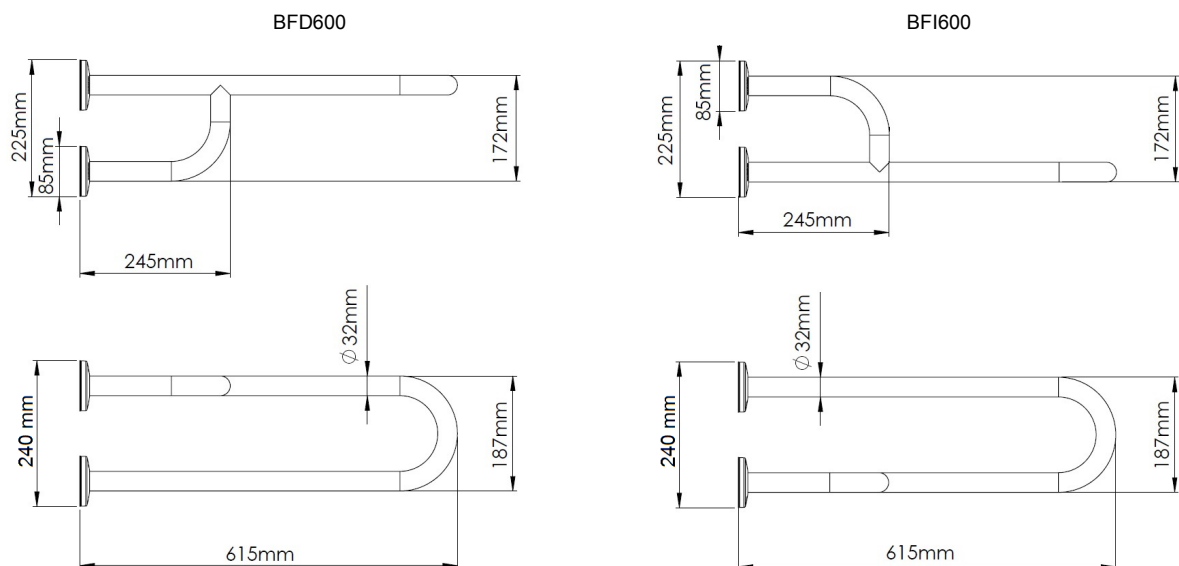
General description

- Wall-mounted steel white grab bar with three support points, made of diameter 32 mm tube, designed for ensuring the safety in the wash basin area, preventing falls throughout this place.
- With white Polypropylene snap flange covers to conceal the screws, designed to snap on easily for a snug fit. They protect the flange surfaces from damage, dust, moisture and foreign particles and help to achieve a beautiful and sleek look, at the same time.
- Suitable for domestic and commercial places to design barrier-free accessibility, enabling access and assisting mobility of people with disabilities, or special needs, helping make their lives easier.
- Optionally, these bars can be electrically isolated by installing the electrical isolation Kit code KA0010.
- Fixing screws for brick walls included.

Components and materials

- **BFD600:** grab bar right hand, made of diameter 32 mm AISI 304 stainless steel tube, white finish.
- **BFI600:** grab bar left hand, made of diameter 32 mm AISI 304 stainless steel tube, white finish.
- **TUBING:** made of 32 mm diameter tube, seamless construction. The bending process guarantees the uniformity of the diameter along the bends.
- **CONCEALED MOUNTING FLANGE:** three units made of steel, 3 mm thick. Incorporates three \varnothing 6.5 mm screws holes for wall mounting.
- **SNAP FLANGE COVER:** three units made of Polypropylene, 1.5 mm thick and \varnothing 85 mm. Each cover snaps over mounting flange to conceal mounting screws.

Dimensions



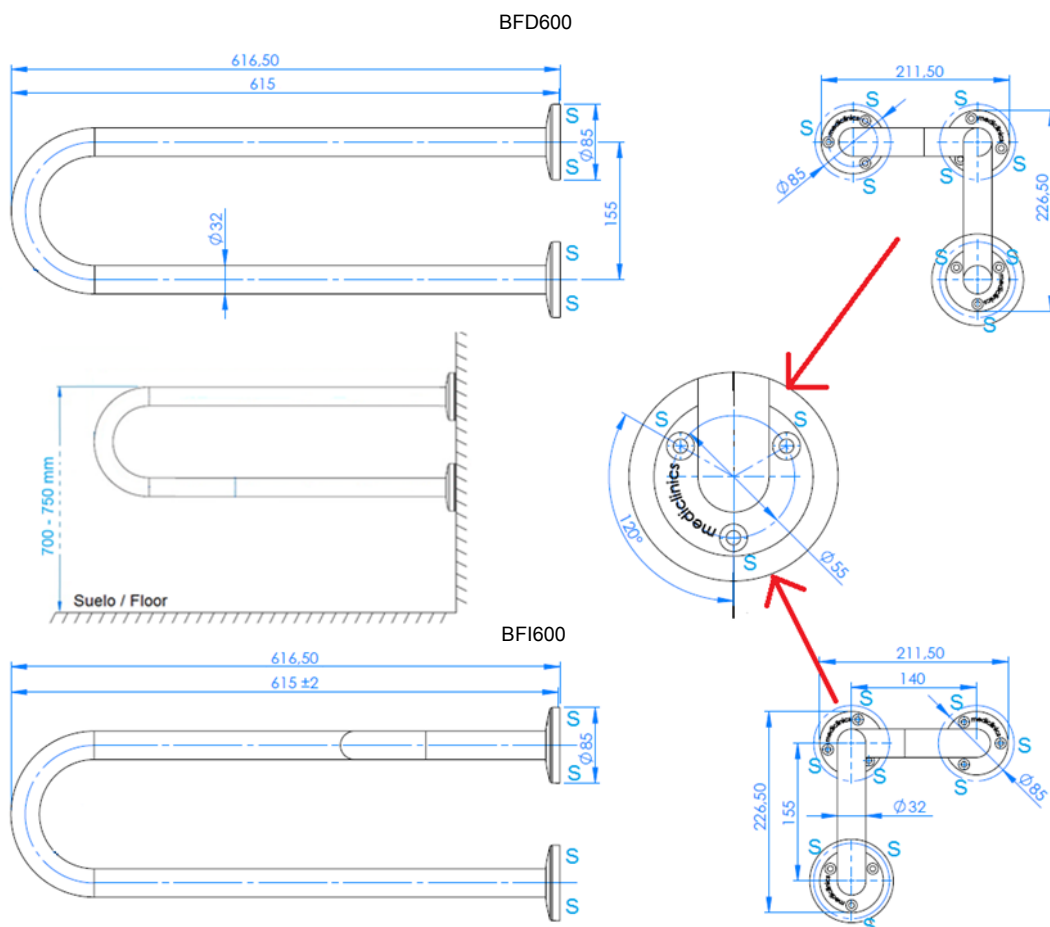
Dimensions: \pm 4%

Technical specifications

Dimensions	615 x 225 x 240 mm
Bar diameter	Ø 32mm
Wall flange thickness	3 mm
Snap flange cover diameter	Ø 85 mm
Snap flange cover thickness	1.5 mm

MOUNTING TEMPLATE

Fix the grab bar to the wall through the 3 holes of the wall flange, using the provided screws and taking into account the distances of the points indicated by an "S" in the following figure:



It is not recommended to install the Mediepoxy line bars in places where the bars will be in direct contact with water, in damp and/or chlorinated environments.

Mediclinics is not responsible for corrosion that may appear on the bars caused by abrasion on the anchorage points because of an improper installation.

Mediclinics, S.A., reserves the right to make changes and/or modifications to the products and their specifications without prior notice
 Review 01-19 © mediclinics S.A.

